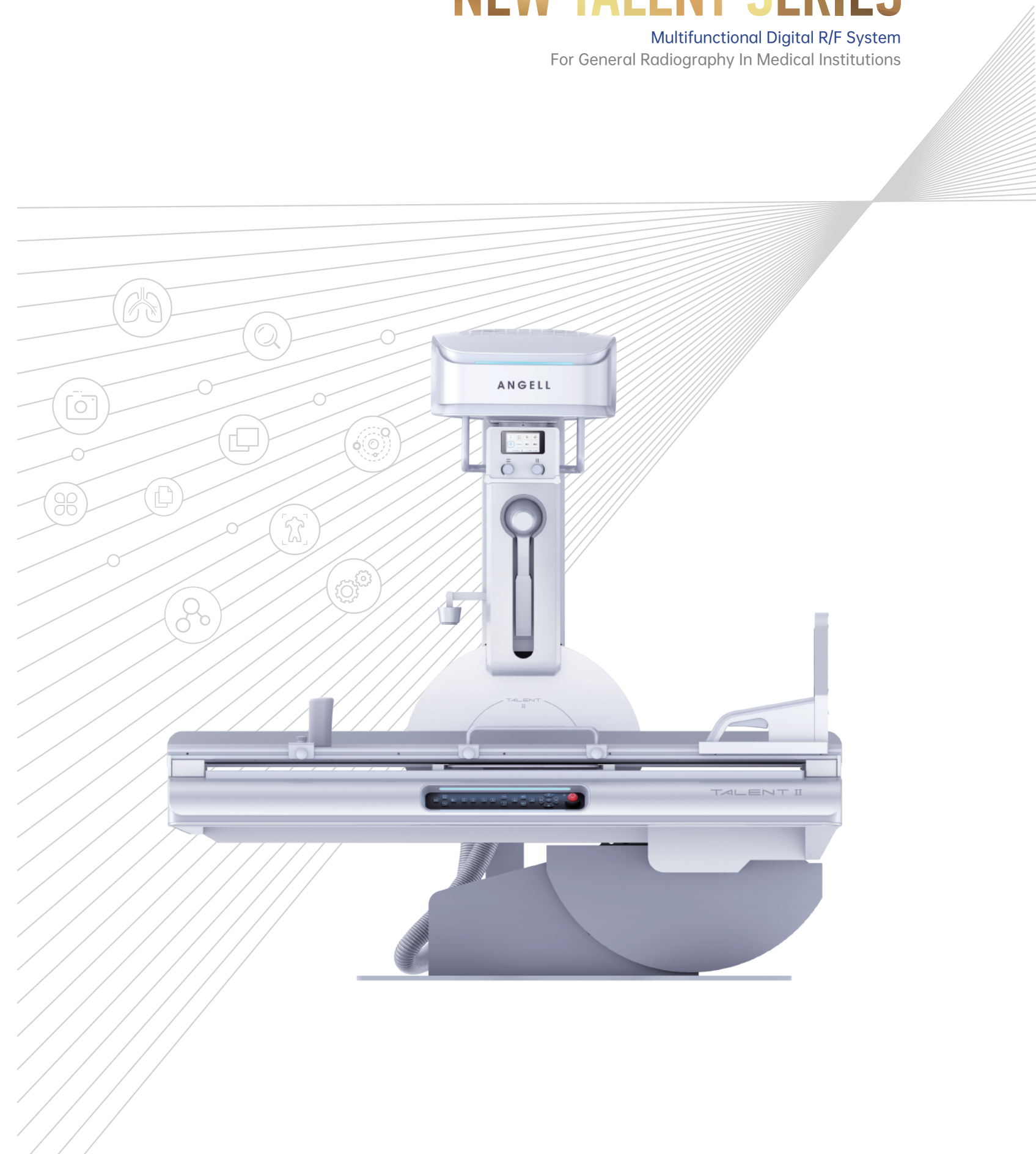




NEW TALENT SERIES

Multifunctional Digital R/F System
For General Radiography In Medical Institutions



SHENZHEN ANGELL TECHNOLOGY CO., LTD

Headquarters

Address: Room 408, Building A, Huahan Innovation Park, Langshan Road, Nanshan District, Shenzhen 518057, China

Tel: (+86) 755-86966744

Fax: (+86) 755-26859389

Email: market@szangell.com

Manufacturing Base

Address: Building 3, Runheng Dingfeng Industrial Park, Liuxian 2nd Road, Xinan Street, Baoan District, Shenzhen 518101, China

Tel: (+86) 755-86652993

Fax: (+86) 755-86277470

MULTIFUNCTIONAL DESIGN ⁺

Tube column can rotate from -35° to 35°

SID is 1.15m to 1.8m

1700mm×610mm large inspection coverage, minimum 450mm from the ground to the tube

Ultra-low table design: 715mm



The tube head can be rotated at $0^{\circ}/90^{\circ}/180^{\circ}$, used for stretcher and bucky stand radiography

360° rotating pedal design, double the efficiency of physical examination

Lifting Mobile Console (optional)

ONE MACHINE CAN REALIZE THE WHOLE DEPARTMENT APPLICATION⁺



Digital Radiography
Applicable for all body positions



Digital Contrast
Applicable for all regular and specific contrast examinations



Digital Fluoroscopy
Applicable for all body position's fluoroscopy examinations



Full Body Stitching Function
Standard configuration

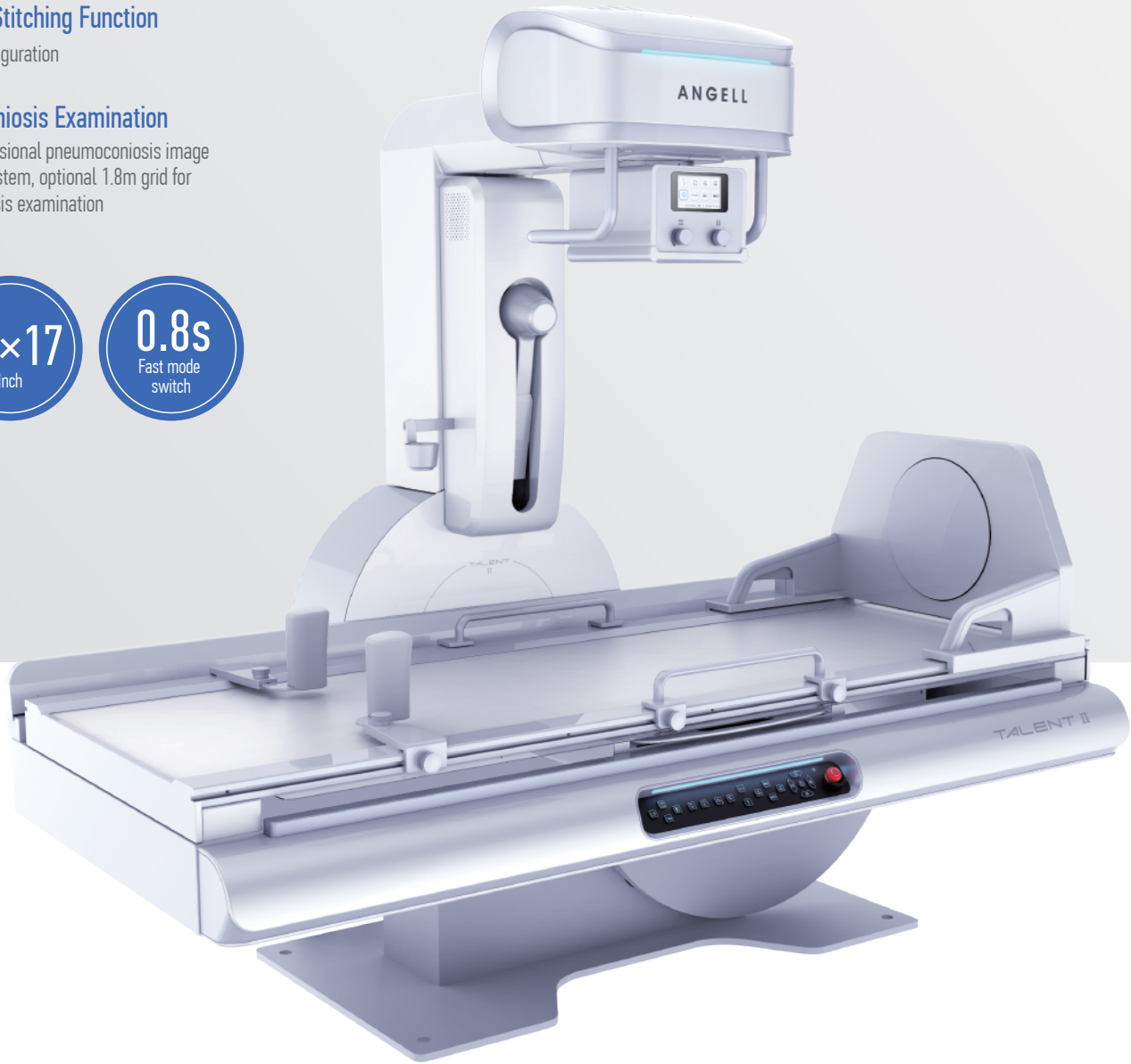


Pneumoconiosis Examination
Provide professional pneumoconiosis image processing system, optional 1.8m grid for pneumoconiosis examination

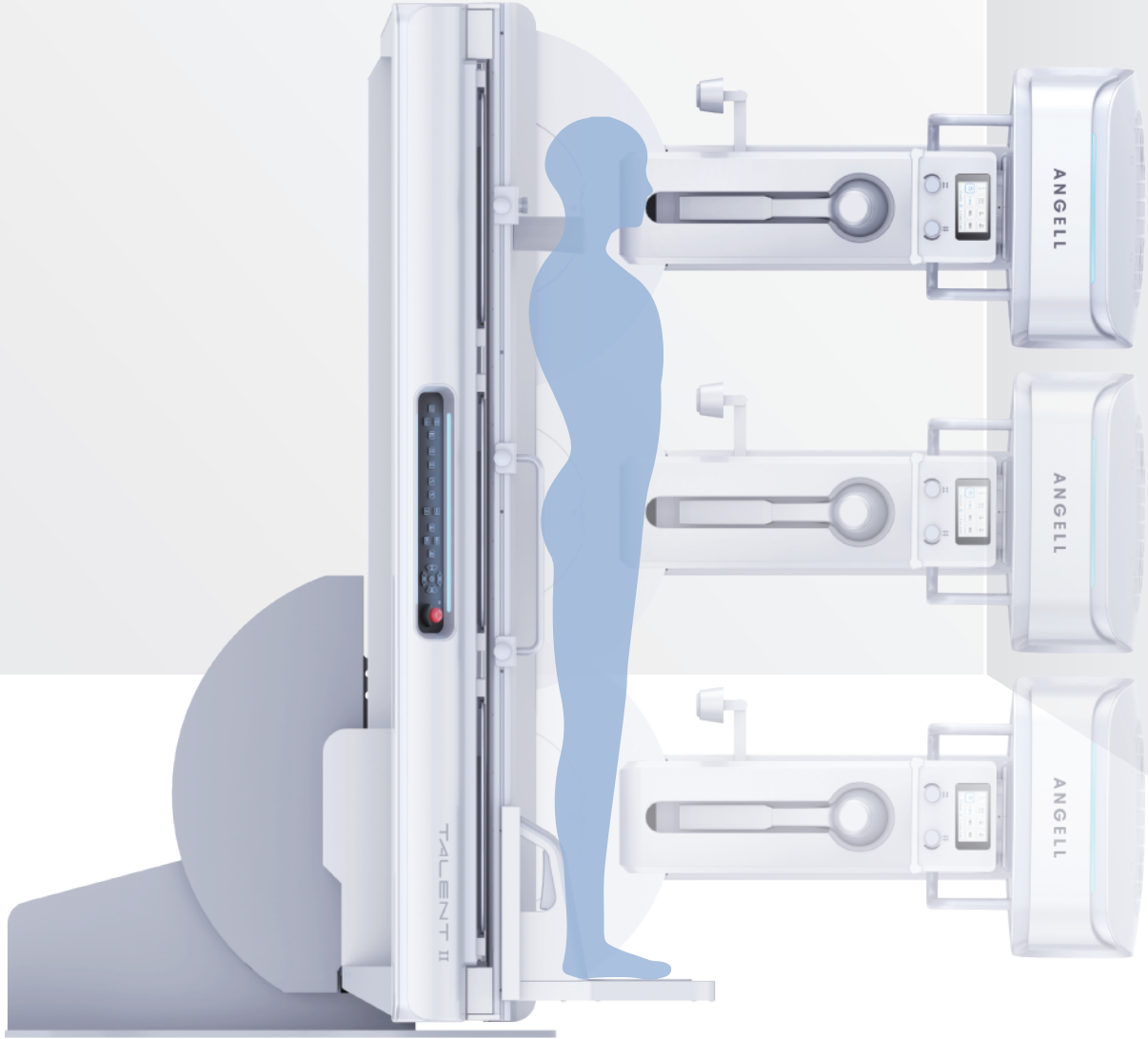
9Million
Pixel

17×17
Inch

0.8s
Fast mode switch



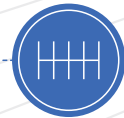
Automatic Full Body Stitching Function⁺



INTELLIGENT DOSE MANAGEMENT⁺



1080P HD wide-angle camera
Visual guidance assists positioning to reduce mistakes



Removable grid design
Meet the low-dose needs of gynecology and pediatrics



Virtual collimator
With fluoroscopy last frame hold function, it effectively reduces unnecessary X-ray dose during examination

AUTOMATIC FULL BODY STITCHING FUNCTION⁺



Touch screen for convenient control
Control at the bedside



Personalized voice intercom system
The first system supports three sets of voice recording and playback



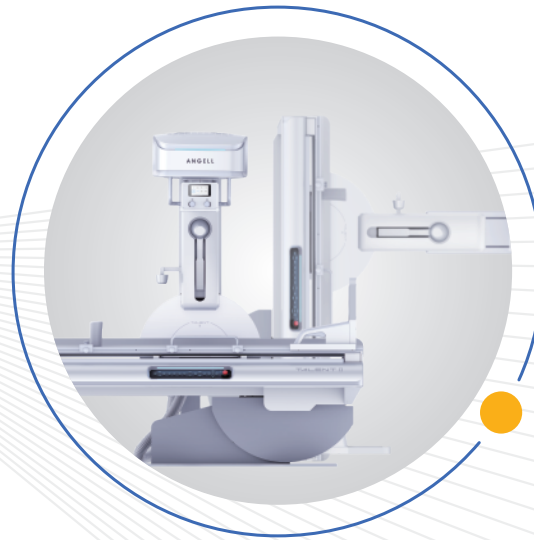
Integrated console design
Integrated control console, support one-key switch and two hands collaborative operation

ADVANCED SMART APPLICATION ⁺



Smart collimator

Collimator can choose suitable field size according to different body position and can automatically match detector format according to different SID



Smart one-key positioning

Fast switch from supine position to erect position



Smart bed-side lock

Bed-side control panel has a smart lock function



Smart operation guidance

All console panels have a smart operation guidance function

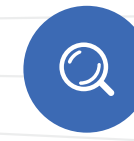
PROFESSIONAL IMAGE PROCESSING SYSTEM ⁺

The New Talent series is configured with IEAE and multi-frequency image processing system. It has six core processing modules that enable evenness, softness, spatial layering and texture exquisiteness of image and provide solid foundation for precise lesion diagnosis



iGCR

Intelligent Grayscale Compensation of ROI



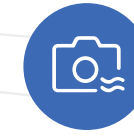
iMR

Intelligent Metal-recognition



iTE

Intelligent Tissue Equalization



iDG

Intelligent Degrid



iCED

Intelligent Context-enhancing Denoise



iDC

Intelligent Dose Control

It also has its own software copyright of special pneumoconiosis image processing to provide excellent image for pneumoconiosis examination.

